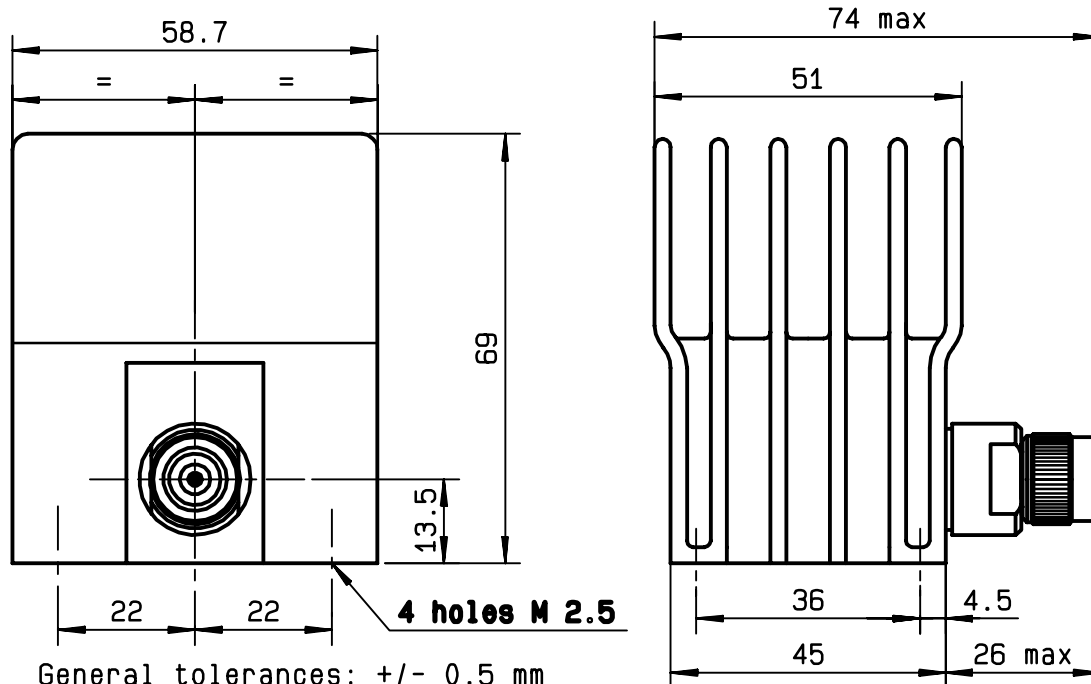


**TITLE:** 50 W 4GHZ TNC/m COAXIAL TERMINATION

**LTR. B**



## ELECTRICAL CHARACTERISTICS

FREQUENCY RANGE	: DC - 4GHz
IMPEDANCE	: 50 Ohms
DC RESISTANCE	: 50 Ohms ± 5 %
AVERAGE POWER HANDLING	: 50 W at 25°C
PEAK POWER HANDLING	: 5 kW ( 1 μs, 1%.) at 25°C
V.S.W.R :	DC - 2 GHz : ≤ 1.10
	2 - 4 GHz : ≤ 1.20

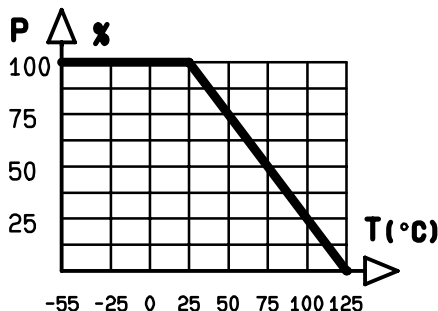
## MECHANICAL CHARACTERISTICS

CONNECTOR	: TNC male per MIL C 39012
MAXIMUM WEIGHT	: 320 grams

## ENVIRONMENTAL CHARACTERISTICS

OPERATING TEMPERATURE RANGE (°C)	: -55 , +125
STORAGE TEMPERATURE RANGE (°C)	: -55 , +125

Power derating  
Versus temperature



Tentative data subject to change without notice

PEN <b>95182</b>	QUALITY Dpt App.					
	PAGE 1 / 1	DATE 02.11.92	NAME PG	LTR	REVISIONS	DATE